

P-CLIPS FOR PIPES, CABLES AND HOSES

JCS rubber-lined P-Clips are tough and durable, providing a simple and secure fixing solution for even the most challenging of environments.

Available in two accurately sized ranges for 6mm and 10mm bolts in both Zinc plated Mild Steel and Marine quality 304 Stainless Steel. TPE liners are available for both standard and High Temperature applications.

The standard P clip is supplied with a TPE rubber liner which prevents chafing or damage to the surface of the item being clamped.

DESIGN FEATURES

- ✓ UV and ozone resistant TPE rubber liner absorbs vibration and prevents chafing of pipe or cable
- ✓ The P-Clip band features a special strengthening rib that keeps the clips flush with the surface to which it is bolted.
- ✓ The Zinc Plated version is heavily electro zinc plated on all surfaces including the edges for the very best corrosion resistance.
- ✓ The Stainless version is made from marine quality 18/8 Stainless Steel

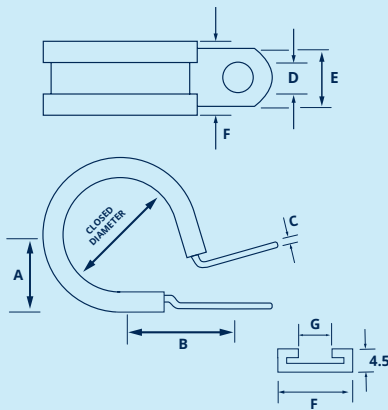
Note - fixing nuts and bolts not supplied.

OPTIONS

Non-standard sizes and liners available upon request – please contact us for a quotation.



TECHNICAL & MATERIAL SPECIFICATION



MATERIAL SPECIFICATIONS

Zinc Plated P-Clip: Mild Steel - bright zinc plated and passivated
 Stainless P-Clip: BS304 - EN1.4301

LINERS SPECIFICATION

Standard Liner:

TPE rubber (black) - 65 IRHD hardness.

Service temperature:
 -30 °C to +60 °C

High Temperature Liner:

TPE 160 (grey) - 60 IRHD hardness.

Service temperature:
 -50 °C to +160 °C

All dimensions in mm.

M6 RANGE

Size	Closed dia	A	B	Zinc Plated C	Stainless C
5	5	6	15	0.9	0.7
6	6	7	16	0.9	0.7
8	8	8	17	0.9	0.7
9	9	8	17	0.9	0.7
10	10	9	18	0.9	0.7
12	12	10	20	0.9	0.7
13	13	10	20	0.9	0.9
16	16	12	21	0.9	0.9
19	19	13	23	0.9	0.9
21	21	15	24	1.2	0.9
22	22	15	25	1.2	0.9
25	25	17	26	1.2	0.9
28	28	18	28	1.2	0.9
29	29	19	28	1.2	0.9
32	32	20	30	1.2	0.9
35	35	22	31	1.2	0.9
40	40	24	34	1.2	0.9
44	44	26	36	1.2	0.9
48	48	28	38	1.2	0.9
52	52	30	40	1.2	0.9
56	56	32	42	1.2	0.9
60	60	34	44	1.2	0.9

M10 RANGE

Size	Closed dia	A	B	Zinc Plated C	Stainless C
6	6	7	21	0.9	0.7
8	8	8	22	0.9	0.7
10	10	9	23	0.9	0.7
13	13	10	24	0.9	0.9
16	16	12	26	0.9	0.9
19	19	13	28	0.9	0.9
22	22	15	29	1.2	0.9
25	25	17	31	1.2	0.9
28	28	18	32	1.2	0.9
32	32	20	34	1.2	0.9
36	36	22	36	1.2	0.9
40	40	24	38	1.2	0.9
44	44	26	40	1.2	0.9
48	48	28	42	1.2	0.9
52	52	30	44	1.2	0.9

Type	D	E	F	G
M6	6.6	12.6	16	7
M10	10.8	20	23	12